

● Features

- Small size but large capacity
- Low ESR
- Pb Free and RoHS Compliant

● Application

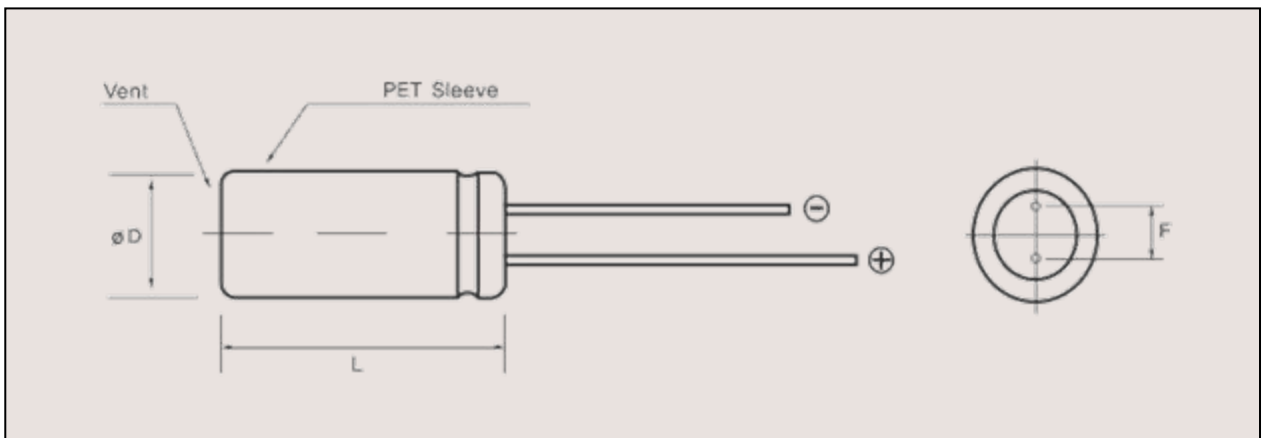
- Solar voltaic applications
(e.g. Traffic sign "LED type". Road guidance flasher)
- Motor drive through quick discharge
(e.g. Toy car & plane)
- Emergency power supply for car DVR or blackbox



● Specifications

Items	Characteristics		
Rated working voltage	2.3 VDC	2.5 VDC	2.7 VDC
Operating temperature	-10 to +60 °C	-25 to +70 °C	-40 to +60 °C
Nominal Cap. Range	20 to 120F	1 to 70F	
Capacitance tolerance	-20% to +40%(at 25°C)		
Endurance	Capacitance change : ±30% of initial measured value Internal resistance : ≤400% of specified value (After 1,000hours application of rated DC working voltage at +60 / +70 °C , the capacitor shall meet the following limits.)		
Shelf life	After 1,000hours storage at +60/+70 °C without load, the capacitor shall meet the specified limit for "Endurance"		

● Shape of Standard Product



● Standard Products and Dimensions (not to scale)

Part number	Operating voltage (V)	Capacitance (F)	ESR (Ω , @1kHz)	Φ D xL(mm)	F (mm)
DR 2R3 206	2.3	20	≤ 0.050	$\Phi 10 \times 25$	5.5
DR 2R3 306		30	≤ 0.035	$\Phi 12.5 \times 25$	5.5
DR 2R3 506		50	≤ 0.025	$\Phi 16 \times 25$	8.0
DR 2R3 706		70	≤ 0.022	$\Phi 16 \times 35$	8.0
DR 2R3 127		120	≤ 0.020	$\Phi 18 \times 40$	8.0
DR 2R5 105	2.5	1	≤ 0.300	$\Phi 8 \times 13$	4.0
DR 2R5 305		3	≤ 0.150	$\Phi 8 \times 20$	4.0
DR 2R5 335		3.3	≤ 0.150	$\Phi 8 \times 20$	4.0
DR 2R5 335		3.3	≤ 0.070	$\Phi 12.5 \times 23$	5.5
DR 2R5 505		5	≤ 0.120	$\Phi 8 \times 25$	4.0
DR 2R5 705		7	≤ 0.100	$\Phi 10 \times 20$	5.5
DR 2R5 106		10	≤ 0.070	$\Phi 10 \times 25$	5.5
DR 2R5 106		10	≤ 0.070	$\Phi 12.5 \times 20$	5.5
DR 2R5 156		15	≤ 0.050	$\Phi 12.5 \times 25$	5.5
DR 2R5 256		25	≤ 0.030	$\Phi 16 \times 25$	8.0
DR 2R5 356		35	≤ 0.025	$\Phi 16 \times 35$	8.0
DR 2R5 706		70	≤ 0.020	$\Phi 18 \times 40$	8.0
DR 2R7 105		2.7	1	≤ 0.200	$\Phi 8 \times 13$
DR 2R7 305	3		≤ 0.075	$\Phi 8 \times 20$	4.0
DR 2R7 335	3.3		≤ 0.075	$\Phi 8 \times 20$	4.0
DR 2R7 335	3.3		≤ 0.035	$\Phi 12.5 \times 23$	5.5
DR 2R7 505	5		≤ 0.060	$\Phi 8 \times 25$	4.0
DR 2R7 705	7		≤ 0.050	$\Phi 10 \times 20$	5.5
DR 2R7 106	10		≤ 0.035	$\Phi 10 \times 25$	5.5
DR 2R7 106	10		≤ 0.035	$\Phi 12.5 \times 20$	5.5
DR 2R7 156	15		≤ 0.030	$\Phi 12.5 \times 25$	5.5
DR 2R7 256	25		≤ 0.020	$\Phi 16 \times 25$	8.0
DR 2R7 356	35		≤ 0.018	$\Phi 16 \times 35$	8.0
DR 2R7 706	70		≤ 0.016	$\Phi 18 \times 40$	8.0

Note : It is not allowed to go through reflow (IR, Atmosphere heating methods etc.) process